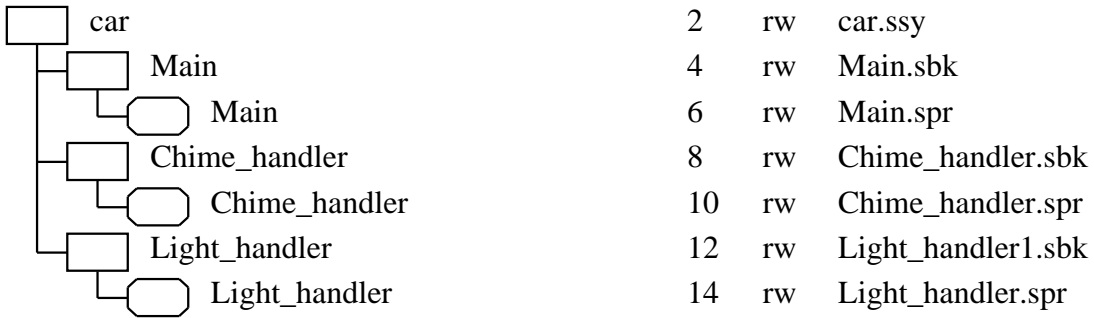


SDT

rw C:\DATA\test\seg2101\midterm\car.sdt

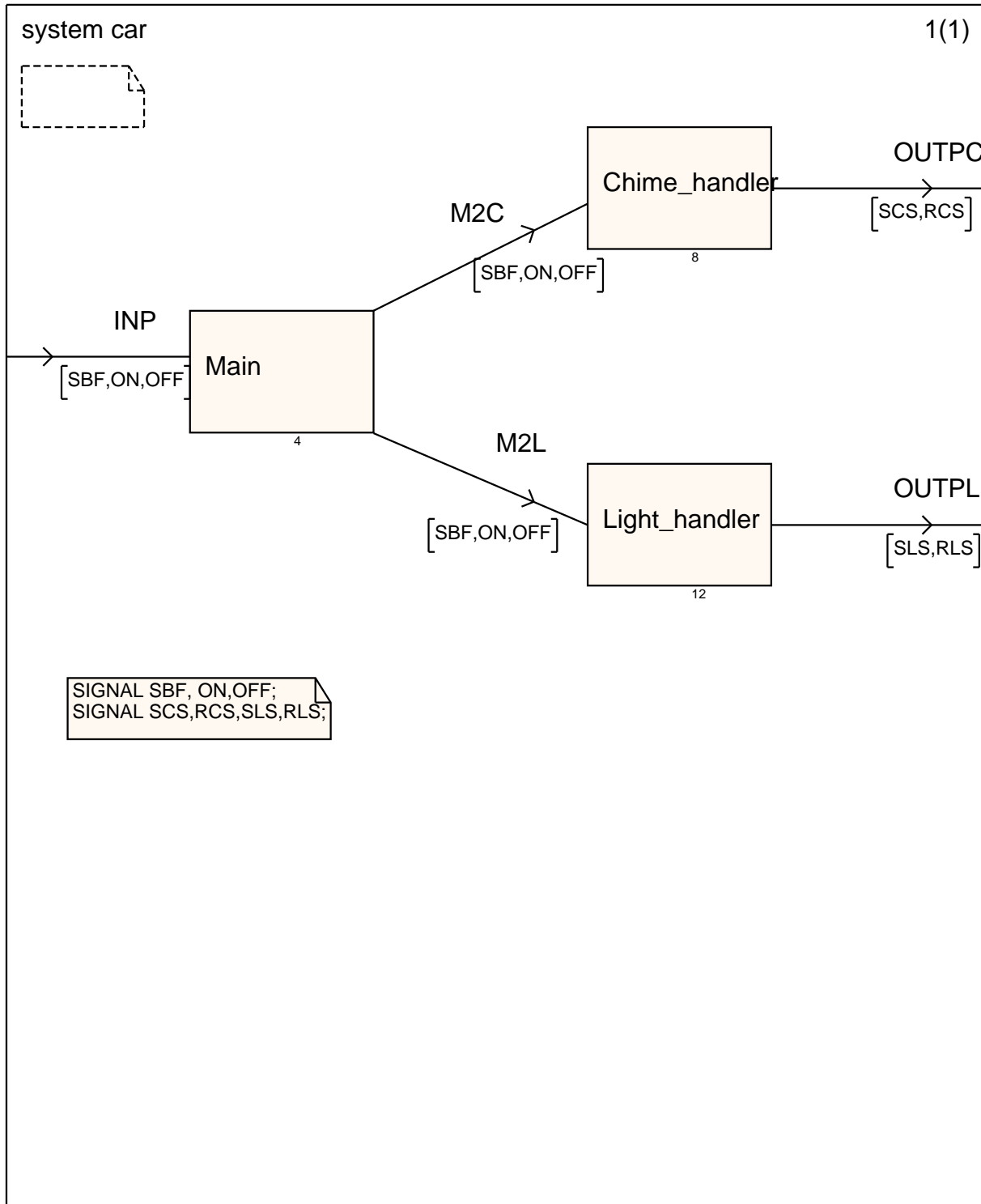
→

rw C:\DATA\test\seg2101\midterm\



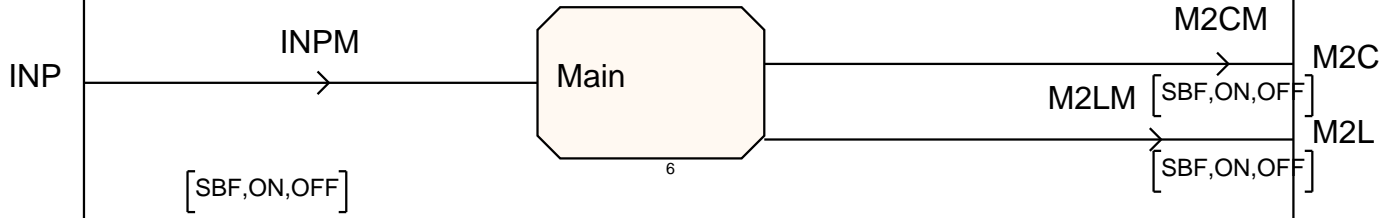
2 rw car.ssy
4 rw Main.sbk
6 rw Main.spr
8 rw Chime_handler.sbk
10 rw Chime_handler.spr
12 rw Light_handler1.sbk
14 rw Light_handler.spr

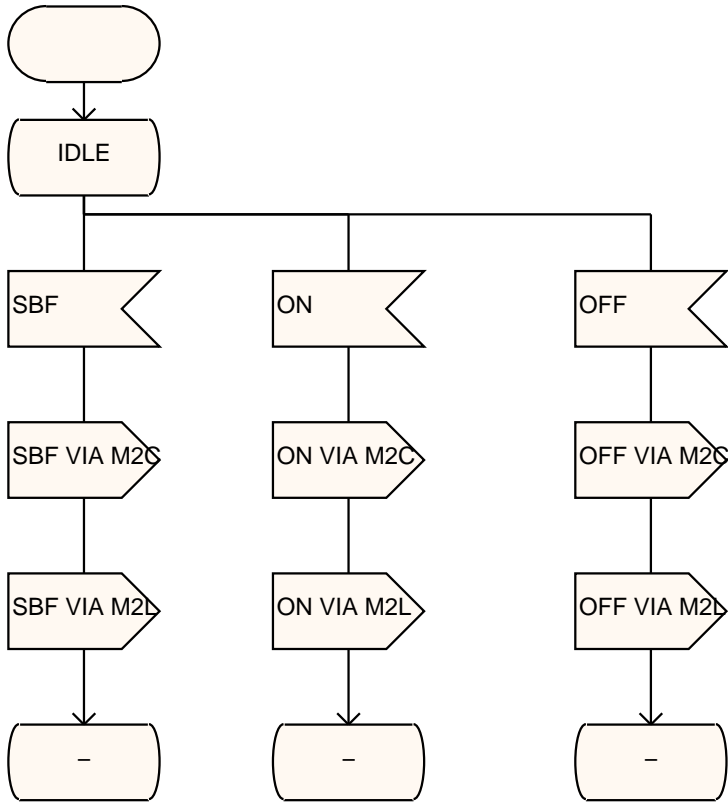
— Analysis Model	16
— Used Files	17
— SDL System Structure	18
— TTCN Test Specification	19
— Other Documents	20



2
block Main

1(1)





2 block Chime_handler

1(1)



M2C

M2CC

Chime_handler

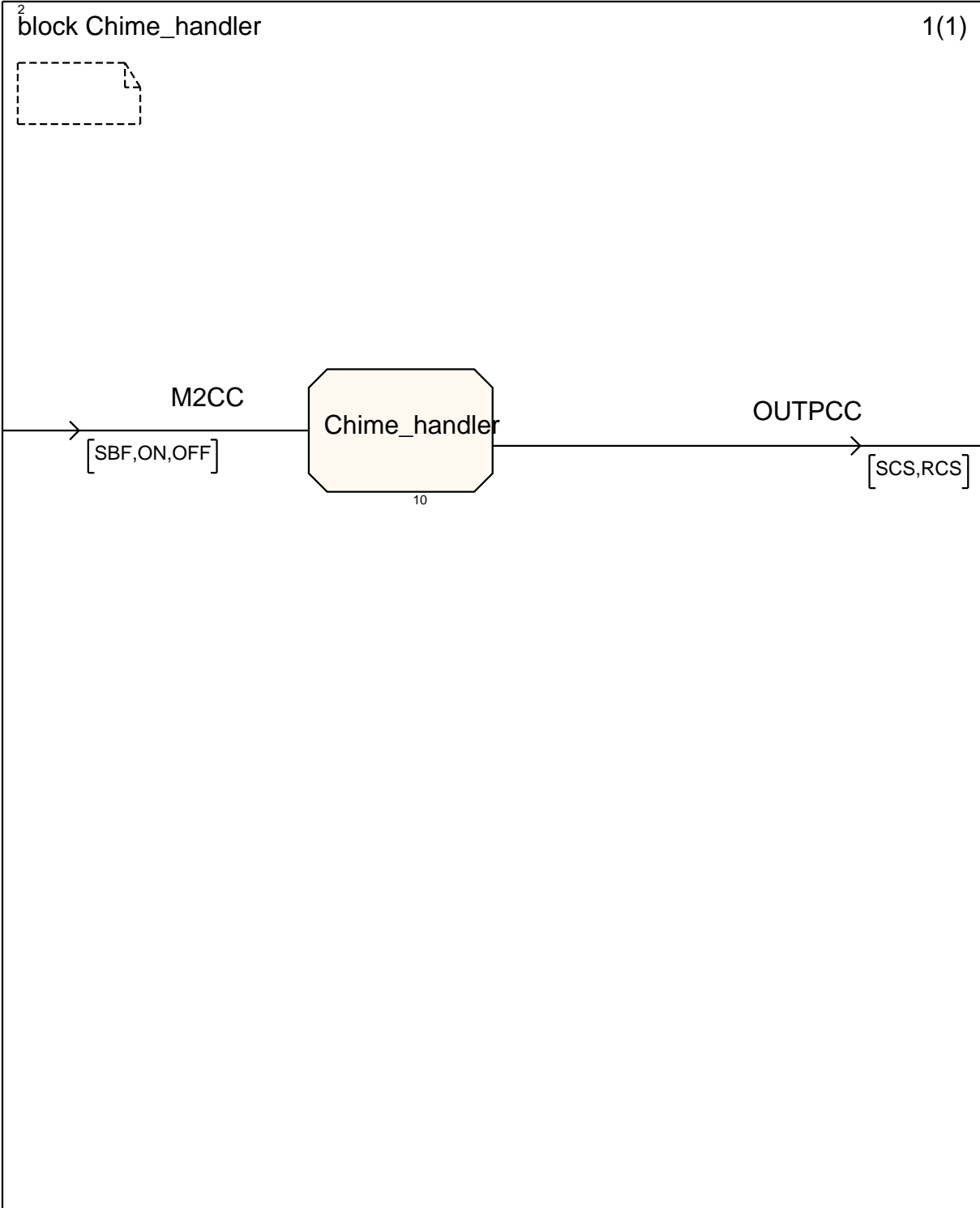
OUTPCC

OUTPC

[SBF,ON,OFF]

[SCS,RCS]

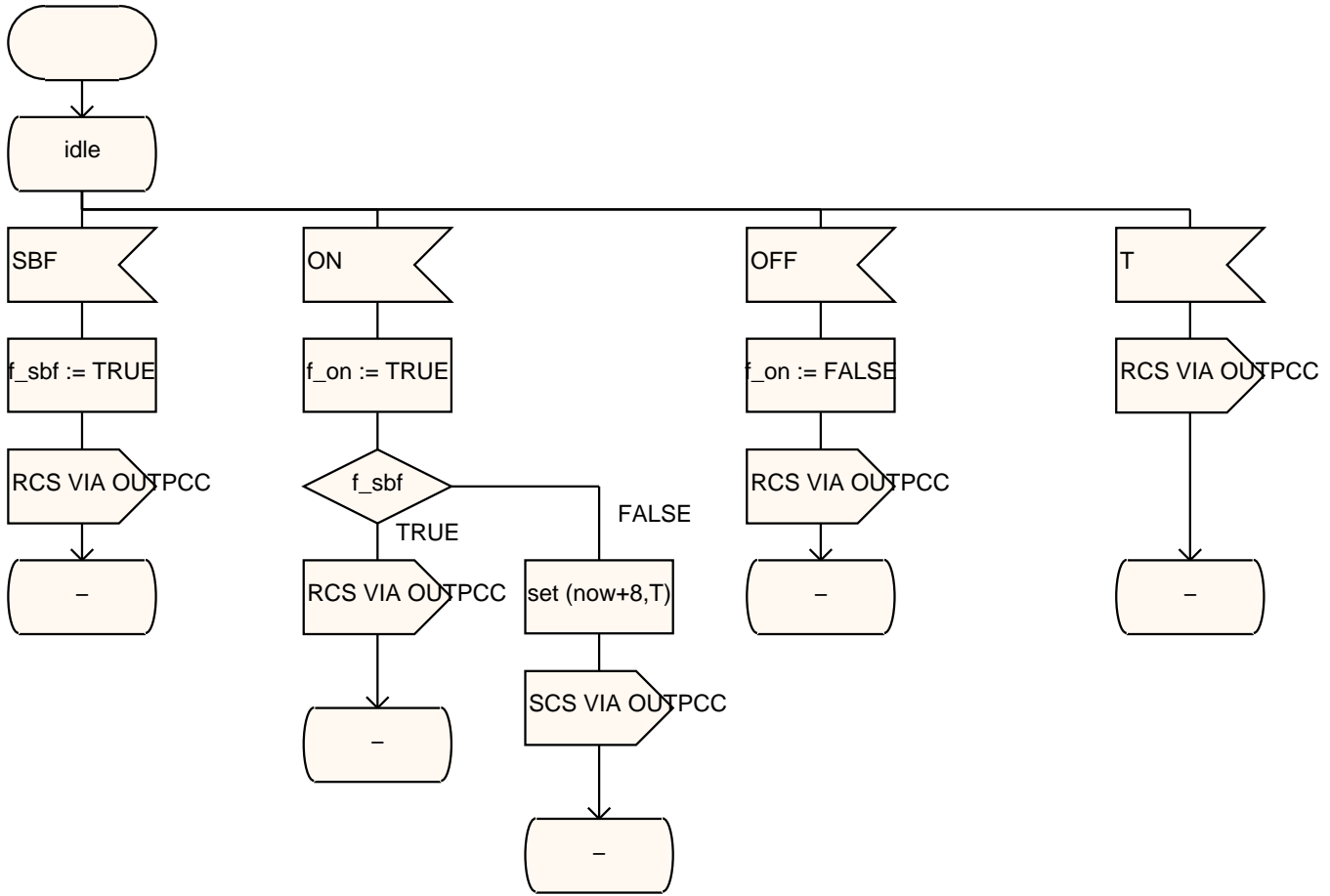
10



8
process Chime_handler

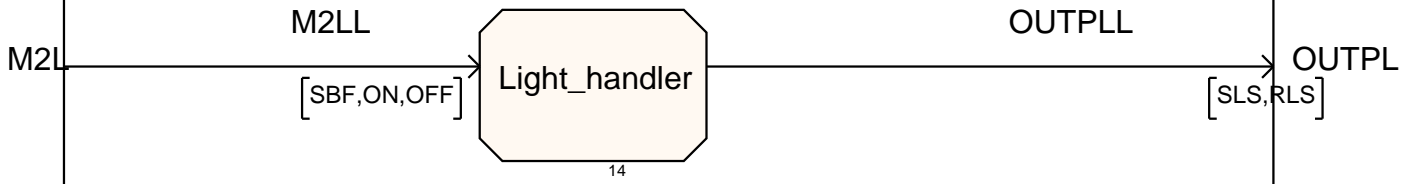
1(1)

DCL f_sbf boolean := FALSE;
DCL f_on boolean := FALSE;
TIMER T;



2
block Light_handler

1(1)





DCL f_sbf boolean := FALSE;
DCL f_on boolean := FALSE;

